

STOVAX



Stockton 3/4/5/6/7/8/11

Free Standing Stove

MODELS: 7118/7101/7102/7119/7160/7127/7130/7161/7100/7162/7117/7120/7163/7103/7104/
7105/7113/7113LC/7128/7114/7106/7106LC/7106HC/7116/7116LC/7116HC

Instructions for Use, Installation and Servicing

For use in GB & IE (Great Britain and Republic of Ireland).



This appliance has been certified for use in countries other than those stated. To install this appliance in these countries, it is essential to obtain the translated instructions and in some cases the appliance will require modification. Contact Stovax for further information.

IMPORTANT

This appliance will become hot whilst in operation, it is therefore recommended that a suitable guard should be used for the protection of young children, the elderly or infirm. Do not attempt to burn rubbish in this appliance.

**Please read these Instructions carefully before installation or use.
Keep them in a safe place for future reference and when servicing the fire.**

The commissioning sheet found on page 3 of these instructions should be completed by the Installer.

COVERING THE FOLLOWING MODELS:

7118/7101/7102/7119/7160/7127/7130/7161/7100/7162/7117/7120/7163/7103/7104/
7105/7113/7113LC/7128/7114/7106/7106LC/7106HC/7116/7116LC/7116HC

APPLIANCE COMMISSIONING CHECKLIST 3

USER INSTRUCTIONS 4

General Points	4
Using the Appliance for the first time	5
Recommended Fuels	5
Lighting the appliance	6
Running the appliance	7
Burning Tips	8
Ash Removal	9
Over night burning	9
Over-Firing	9
Chimney Fire	9
General Cleaning	10
Cleaning Glass	10
Chimney Sweeping	10
Care of Stove	10
Seasonal Use	11
Troubleshooting Tips	11

INSTALLATION INSTRUCTIONS 12

Technical Specifications	12
Standard Features	13
Packing List	13
Dimensions	13

SITE REQUIREMENTS 15

Flue & Chimney	15
Flue exit positions	16
Hearth Dimensions	16
Walls Next to Hearth	17

PRE-INSTALLATION 18

Flue	18
Additional Ventilation	18
Ventilation	19

INSTALLATION 20

Legal Requirements	20
Installing the Appliance	20
Top Flue Installation	20
Rear Flue Installation	21
Removal of Log Guard	21
Fitting & Removal of Fire Bricks	21
Fitting & Removal of Baffles	22
Fitting Multi-fuel kits	22

COMMISSIONING 24

MAINTENANCE & SERVICING 25

Annual Service	25
Removal of Log Guard	26
Removal of Fire Brick	26
Removal of Baffle	26
Fitting a New Glass Door	26
Fitting a New Door Seal	27
Adjusting Door Hinges	27

BASIC SPARE PARTS LIST 28

SERVICE RECORDS 30

EC DECLARATION OF CONFORMITY 32



This appliance has been approved by HETAS Ltd.

APPLIANCE COMMISSIONING CHECKLIST

To assist us in any guarantee claim please complete the following information:-

Dealer appliance was purchased from

Name:

Address:

.....

Telephone number:

Essential Information - MUST be completed

Date installed:

Model Description:

Serial number:

Installation Engineer

Company name:

Address:

.....

Telephone number:

Commissioning Checks (to be completed and signed)

Is flue system correct for the appliance YES NO

Flue swept and soundness test complete YES NO

Smoke test completed on installed appliance YES NO

Spillage test completed YES NO

Use of appliance and operation of controls explained YES NO

Instruction book handed to customer YES NO

Signature:

Print name:

USER INSTRUCTIONS

1. GENERAL POINTS

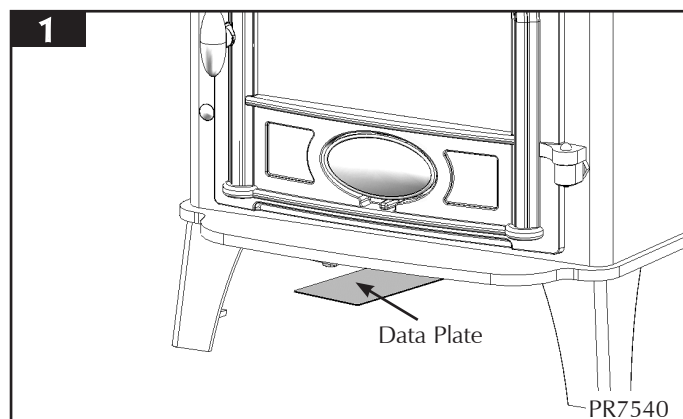
- 1.1 Before use of this appliance please read these instructions fully.
- 1.2 All local regulations, including those referring to national and European Standards need to be complied with when installing the appliance.
- 1.3 Only use for domestic heating in accordance with these operating instructions.
- 1.4 You must burn only approved fuels. Do not use with liquid fuels or as an incinerator.
- 1.5 Appliance surfaces become very hot when in use. Use a suitable fireguard if young children, elderly or infirm persons are present.
Stovax offer firescreens, sparkguards and hearthgate systems for protection*. Your Stovax dealer can advise you about these products.
- 1.6 Do not place photographs, TV's, paintings, porcelain or other combustible items on the wall or near the appliance. Exposure to hot temperatures will cause damage.
- 1.7 Extractor fans or cooker hoods must not be placed in the same room or space as this can cause appliance to emit fumes into the room.
- 1.8 Do not obstruct inside or outside ventilation required for the safe use of this appliance.
- 1.9 Do not make unauthorised changes to the appliance.
- 1.10 The chimney must be swept at least once a year. See Section 12
- 1.11 Do not connect, or share, the same flue or chimney system with another appliance.
- 1.12 This appliance is designed to be used with the doors shut. However it can be operated with the doors fully open if using a suitable sparkguard.*
If operated with the doors open without a sparkguard the hearth must be extended by a minimum of 300mm in front of the appliance.

SERIAL NUMBER

- 1.13 This number is required when ordering spare parts or making warranty claims. It is found on the appliance data plate.

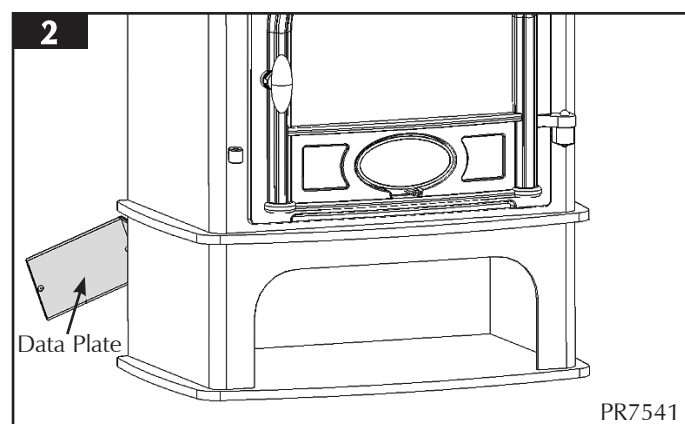
Stockton 3, 4, 5, 6, 7, 8, 11

For most Stockton models the data plate is found under the front of the stove ashlip. See Diagram 1



Stockton 5 Midline

The data plate is found on a swing out data plate located on the back of the stove on the left hand side. See Diagram 2



AIR CONTROLS

Triple Air Systems

Several Stovax appliances have triple air systems providing cleaner burning, and greater efficiency and control, See Diagram 3

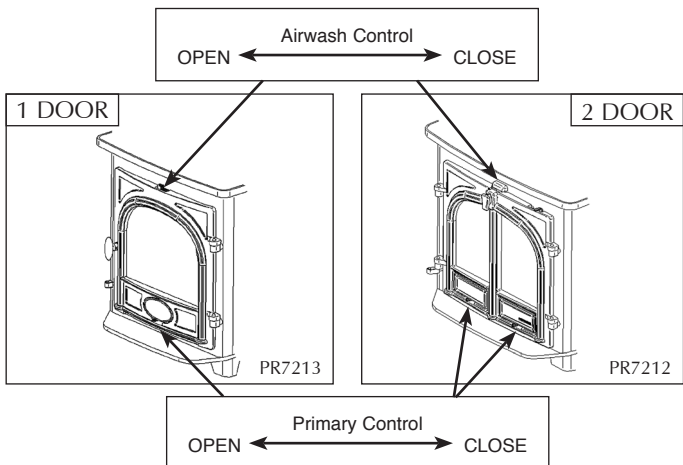
- 1) Airwash - air drawn over the window cleans the glass. The source of Primary Combustion air when burning wood.
- 2) Primary Air - for use with solid fuel and initially with wood fires.
- 3) Cleanburn - Secondary air is preheated through a heat exchanger to combust unburned hydrocarbons, providing a cleaner and more efficient burn.

*In the U.K: These products must conform to BS 6539, Fireguards for use with solid fuel appliances. If appliance is operating unattended they must conform to BS 3248

USER INSTRUCTIONS



AIR CONTROLS

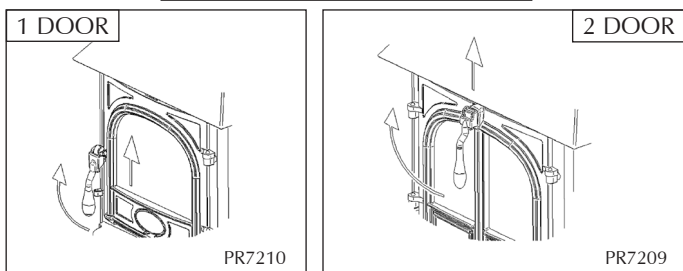


DOOR HANDLE

1.14 Use a protected gloved hand to operate.

DO NOT OPEN THE DOOR WITH BARE HANDS

To Open and Close
Drop tool over knob to fit. Lift and remove



WARNING

Properly installed, operated and maintained this appliance will not emit fumes into the room.

Occasional fumes from de-ashing and refuelling may occur.

Persistent fume emission is potentially dangerous and must not be tolerated.

If fume emission does persist:

- Open doors and windows to ventilate the room
- Allow fire to burn out or safely dispose of fuel from the appliance
- Check for chimney blockage and clean if required
- Do not attempt to relight until the cause of the emission has been identified and corrected
If necessary seek expert advice.

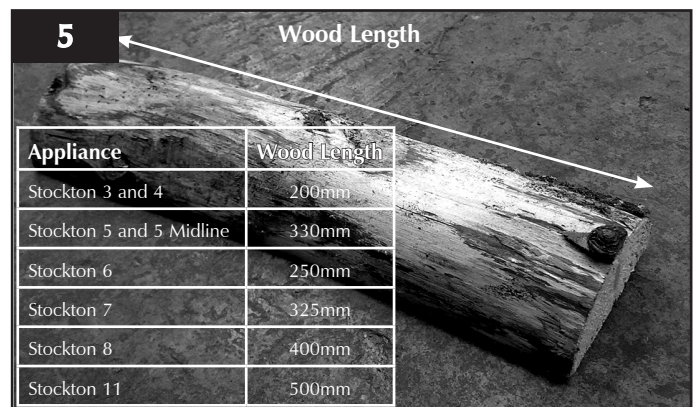
2. USING THE APPLIANCE FOR THE FIRST TIME

- 2.1 To allow the appliance to settle and fixing glues and paint to fully cure:
 - Operate the appliance at a low output for first few days
- 2.2 **Do not touch the paint during the first period of use.**
- 2.3 During this time the appliance may give off some unpleasant odours:
 - Keep the room well ventilated to avoid a build-up of fumes.

3. RECOMMENDED FUELS

3.1 Wood Logs:

- Burn only seasoned timber with a moisture content of less than 20%



- Dry cut wood for 12 to 18 months before use

USER INSTRUCTIONS

Poor quality timber:

- Causes low combustion efficiency
- Produces harmful condensation
- Reduces effectiveness of the airwash and life of the appliance

Do not burn construction timber, painted, impregnated / treated wood, manufactured board products or pallet wood.

3.2 Solid fuel:

- Burn only anthracite or manufactured briquette smokeless fuels listed as suitable for use with closed heating appliances

Do not burn bituminous coal, 'petro-coke' or other petroleum based fuels as this will invalidate the product guarantee.

3.3 Fuel consumption.

As tested at nominal heat output to the requirements of EN 13229: 2001 for intermittent operation:

Description	Fuel Consumption	
	Kg/hour Wood	Kg/hour Briquette Smokeless fuel
Stockton 3	1.4	0.7
Stockton 4	1.4	0.7
Stockton 5/5ML	1.5	0.7
Stockton 6/6HL	1.9	0.9
Stockton 7	2.4	1.1
Stockton 8	2.8	1.3
Stockton 11	3.5	N/A

3.4 For advice on suitable solid fuels:*

- Contact your local approved coal merchant

A number of factors can affect the performance of the appliance. See Section 8 for details.

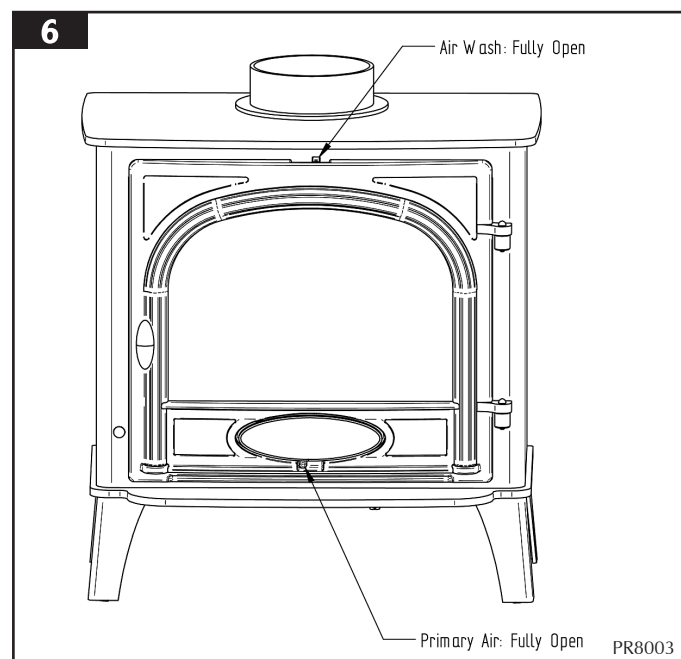
*In the U.K:

- Ring the Solid Fuel Association advice line on 0845 601 4406 for details
- Visit their web site at www.solidfuel.co.uk

4. LIGHTING THE APPLIANCE

4.1 For best results:

- Set air controls, See Diagram 6



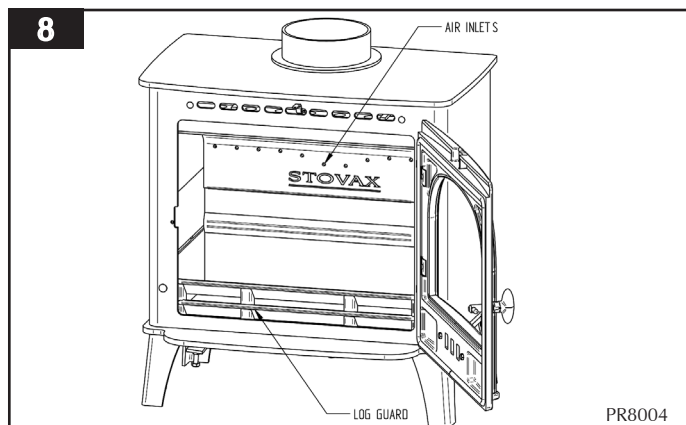
- Place firelighters or paper and dry kindling wood on the grate
- Light the paper or firelighters, See Diagram 7



- Leave the door slightly open as the fire establishes and the glass warms to avoid the build-up of condensation
- Add larger pieces of wood
Too many logs may smother the fire.

Do not load fuel above the log guard and the secondary combustion inlets at the back of the firebox.
See Diagram 8

USER INSTRUCTIONS

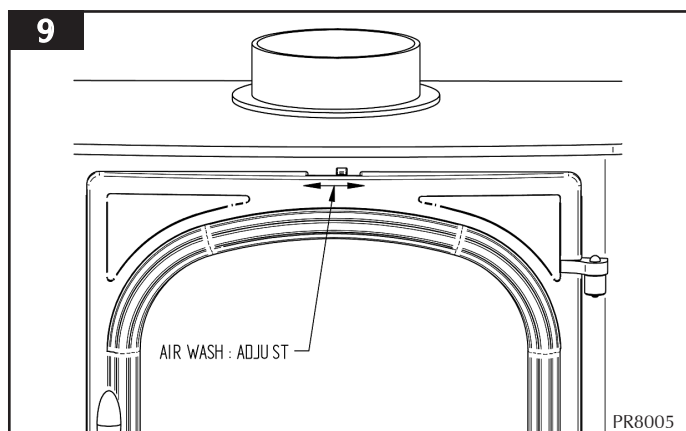


- Close the door if desired.
- Use a sparkguard if running with the doors open

5. RUNNING THE APPLIANCE

5.1 Burning Wood:

- Close the **Primary air control** (multi-fuel versions only) and use the **Airwash** to control the burn rate when appliance is at operating temperature, see Diagram 9



- Wood burns best on a bed of ash
 - Rake the embers evenly over the fire bed and open the **Airwash control** fully for a few minutes before re-fuelling
- 4.2 Burn new logs at high output for a few minutes before adjusting the **Airwash control**. Refuel little and often for clean, efficient burning.
 - 4.3 Experience establishes settings to suit personal preferences.
 - 4.4 Do not burn large amounts of fuel with the **Airwash control** closed for long periods of time. This reduces the glass cleaning effect and causes tars and creosotes to build-up in the appliance and flue system.
 - 4.5 When in use, burning the appliance at high output for a short period also reduces tars and creosote.

5.2 Burning Solid fuel:

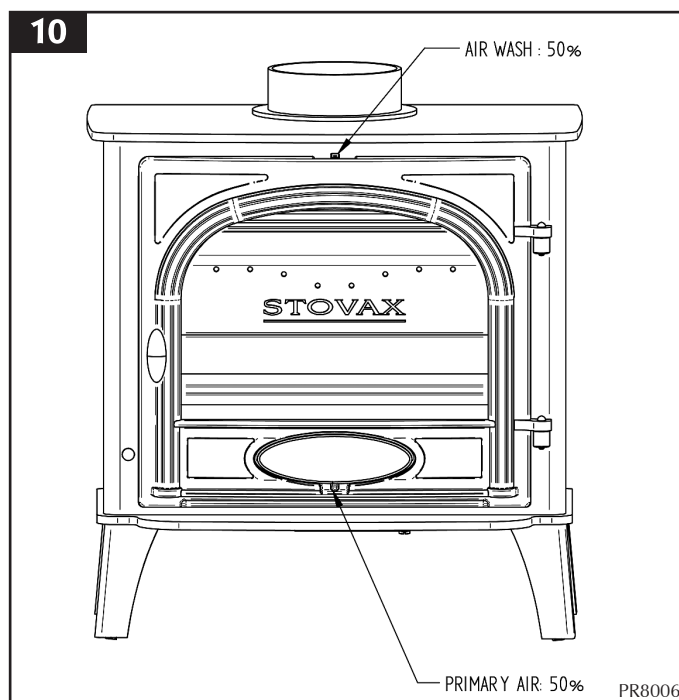
To burn solid fuel efficiently in a wood version the multi-fuel kit should be fitted.

Multi-fuel kit part numbers:

Appliance	Part No.
Stockton 5 (all)	7108
Stockton 6 (all)	7117
Stockton 7	7109
Stockton 8	7111
Stockton 8 Slimline	7111SL

Only for use with recommended fuels, see **Installation Section** for full fitting details.

- Set air controls, See Diagram 10



5.2 De-ash the fire bed before re-fuelling, See *Ash Removal*

- Open the **Primary air control** fully to establish a glowing bed before adding new fuel
 - Burn new fuel at high output for a few minutes before adjusting the **Primary air control** to the desired setting
 - Refuel little and often for clean, efficient burning.
- 5.3 Experience establishes control settings to suit personal preferences
 - 5.4 Do not burn large amounts of fuel with the **Primary Air Control** on low settings for long periods of time. This reduces the glass cleaning effect of the airwash and causes tars and creosotes to build-up in the appliance and flue system.

USER INSTRUCTIONS

5.5 When in use, burning the appliance at high output for a short period also reduces tars and creosote.

5.6 **You must burn only anthracite or smokeless fuels suitable for use in closed appliances.**

5.7 **Do not burn bituminous coal, 'petro-coke' or other petroleum based fuels as this invalidates the product guarantee.**

Do not load fuel above the log guard and the secondary combustion inlets at the back of the firebox.

See Diagram 8

6. BURNING TIPS

6.1 Fuel Quality (Wood)

Use wood with a moisture content of less than 20%. Seasoned logs have the bark beginning to lift and peel away and cracks radiating from the centre. They feel lighter than fresh cut wood of a similar size and sound hollow when struck against each other. Logs should not feel damp or have moss and fungal growths.

Symptoms related to wet wood:

- Difficulty starting and keeping a fire burning well
- Smoke and small flames
- Dirty glass and/or firebricks
- Rapid creosote build-up in the chimney
- Low heat output
- Short burn times, excessive fuel consumption and blue/grey smoke from the chimney

- Burn at high output for a short period to avoid large build-ups of tars and creosote within the appliance and the flue system
- Use Stovax Protector chimney cleaner to reduce this problem

6.2 Fuel Quality (Solid Fuel)

- Use recommended solid fuels approved for use with closed appliances.

Symptoms related to unsuitable fuels include:

- Difficulty starting and keeping a fire burning well
- Smoke and small flames
- Dirty glass and/or firebricks
- Short life span for grate, baffles and internal firebricks
- Permanent staining of glass

6.3 Air inlets puffing smoke

Combustion gases build up in the firebox and ignite as small explosions, causing smoke to puff out of the air inlets and other openings. This occurs if the air controls are shut soon after adding new fuel to a very hot fire. Stop by opening the air controls to increase combustion air and burning rate.

6.4 Flue Draught

The chimney has two main functions:

- 1) To safely remove the smoke, gases and fumes from the house.
 - 2) To provide a sufficient amount of draught (suction) in the appliance ensuring the fire keeps burning.
- Draught is caused by the rising hot air in the chimney when the appliance is lit.

Symptoms of poor performance related to flue draught include:

- Excessive fuel consumption (high flue draught)
- Poor burning control, overheating (high flue draught)
- Wind noise from air controls (high flue draught)
- Difficulty getting a fire going and keeping it burning well (low flue draught)
- Low heat output (low flue draught)
- Smoke entering room when doors opened (low flue draught)

The construction, position, size and height of the chimney all affect the performance of the flue draught.

Other factors effecting the flue draught include:

- Trees or other buildings nearby causing turbulence
- High and gusty winds
- Outside temperature
- Outside weather conditions
- Incorrect additional ventilation to building
- Blocked flue / chimney

For advice on the correction of persistent flue problems consult a qualified solid fuel heating engineer before continuing to use the appliance.

6.5 Weather conditions

The weather conditions outside the building can effect the burning performance of the appliance. These could include:

Weather Conditions	Problem	Effect
Windy days	Buildings/Obstacles cause turbulent air around chimney.	Smoky Appliance
Calm days	Oversized Chimney.	Smoky Appliance
Damp / Rainy days	Flue temperature not hot enough. Rain water inside chimney.	Lighting and burning problems

To reduce these problems:

- Use good quality kindling wood to start the fire
- Burn initially at a high temperature for a short period
- Fit a rain cowl to the chimney

Your installer should advise you on possible solutions.

If the appliance emits smoke into the room continuously:

- Close the air controls and allow the appliance to go out
- Ventilate the room to clear the fumes

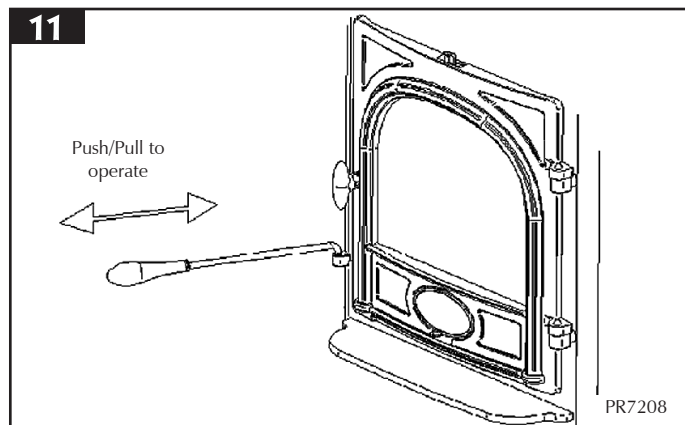
USER INSTRUCTIONS

Do not re-light the appliance until the problem is solved.

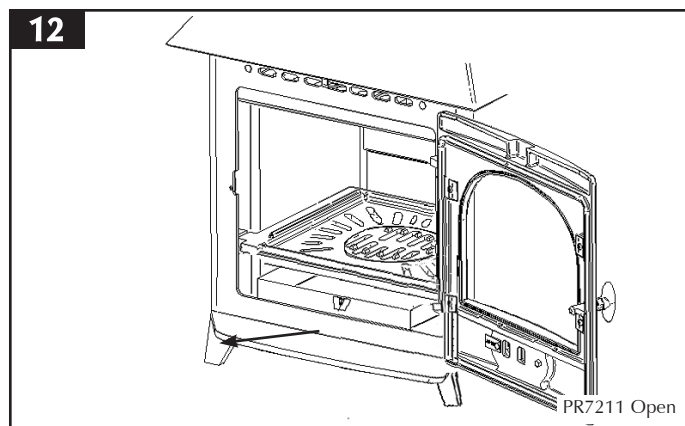
7. ASH REMOVAL

7.1 All Fuels when Multi-fuel kit is fitted:

- Riddle, See Diagram 11



- Open Doors, See Diagram 12



- Remove Ashpan carefully
Heat can remain long after use.
- Use gloves, or place the ash into a Stovax Ash Caddy (Stovax Part No. 4227)
- Remove ash at least once every week when burning wood
- Do not place hot ash in a bin made from plastic or any other combustible material

8. OVER NIGHT BURNING

- 8.1 It is possible to get the appliance to burn over night. In order to do this:
- De-ash prior to final refuelling
 - Set air controls to low combustion settings
This will blacken the glass over night but it will clear when operated at high output for a short period.
 - Use smokeless fuel or small, thick logs depending on fuel desired

9. OVER-FIRING

- 9.1 Do not over-fill with fuel or use at maximum output for long periods or over-firing can occur. If the flue pipe, flue collar or top plate glow red the appliance is over-firing:
- Close the air controls to reduce the output
- 9.2 Over-firing can cause permanent damage to the appliance.

10. CHIMNEY FIRE

- 10.1 If a chimney fire occurs:
- Shut all air controls immediately
 - Evacuate the building
 - Call the fire brigade
 - Do not re-enter the building until it is confirmed safe
- 10.2 **Do not use the appliance after a chimney fire until:**
- It has been inspected by a registered installer, confirming the appliance is safe to use***
 - The chimney system inspected and swept by a chimney sweep, confirming the system is structurally sound and free from obstruction before re-use.**
 - It is repaired as required before re-use.** Use only genuine Stovax replacement parts to keep your appliance in safe and efficient working order.

In the U.K:

* registered with HETAS (GB only)/INFO (Republic of Ireland only)

**This should be done by a NACS registered (UK only)/INFO registered (Eire only) chimney sweep, who will issue you with a certificate.

USER INSTRUCTIONS

11. GENERAL CLEANING

11.1 Allow appliance to cool thoroughly to avoid risk of burns:

- Clean regularly, according to the level of use
- Give attention to the baffle system, flue ways and removing ash

Regular cleaning and maintenance will help give many years of safe use.

- Clean matt black appliances using Stovax Collodial black or Stovax Grate Polish

To refresh painted finishes use Stovax Thermolac paint.

- Clean enamel finishes using warm soapy water and a soft clean cloth
- Do not use aerosol sprays near an operating appliance

Wipe dry with a soft clean cloth before re-lighting. Do not leave unit without drying, as this may cause rust.

Do not use abrasive cleaner or cleaning pads.

12. CLEANING GLASS

- Keep the glass clean with correct use of the Airwash system and good quality fuel

Sometimes additional cleaning may be required.

12.1 This can be done as follows:

- Allow appliance to cool fully
- Do not clean hot glass.
- Use a soft cloth and Stovax Glass Cleaner

12.2 Before re-lighting the appliance:

- Dry the glass fully

12.3 Do not use abrasive cleaner or cleaning pads.

13. CHIMNEY SWEEPING

13.1 To maintain safe and efficient use of the appliance the chimney/flue must be inspected and swept at least once a year by a qualified chimney sweep.*

If the appliance is used continuously throughout the year or it is used to burn wood or smokeless fuel, more frequent sweeping is recommended.

The best time to have the chimney swept is at the start of the heating season.

The above applies even if burning smokeless fuels.

13.2 The chimney, any connecting flue pipe and the appliance flue ways if incorporated, must be regularly cleaned.

13.3 Ensure adequate access to cleaning doors where it is not possible to sweep through the chimney.

13.4 If the appliance is believe to have previously served an open fire the chimney must be swept a second time within a month of regular use after installation.

14. CARE OF STOVE

Stovax has a range of cleaning and maintenance products and accessories to keep your appliance in good working condition. Your Stovax retailer can provide full details but here is a brief list of useful items:

Product Code	Description
3047	Extra long matches
5039	Gas lighter
4052	Log basket
3048	Wood sling - for easy carrying of logs
3016	Log tongs
4027	Extra long protective gloves
5038	Hearthgate - 5 section (for areas 1780x610mm)
5044	Hearthgate - 7 section (for areas 1780x405mm)
4227	Ash caddy - 382x102x306mm
4228	Ash caddy - 446x102x306mm
4229	Ash caddy - 382x102x459mm
4230	Ash caddy - 637x127x408mm
4231	Ash caddy - 306x178x459mm
2091	Ashclean vacuum cleaner attachment
4232	Steel brush

Your retailer can provide genuine spare parts such as replacement glass, door sealing rope and fire bricks when required. An annual service by a competent engineer is recommended to keep your appliance in best possible condition.



USER INSTRUCTIONS

15. SEASONAL USE

- 15.1 Clean and service the appliance if it is not used during the warmer periods of the year as detailed in the *Maintenance and Servicing* section
- 15.2 Set the air controls 50% open to keep the appliance ventilated and stop the build-up of any moisture inside.
- 15.3 Before re-lighting the appliance:
 - Remove the baffles
 - Clear any debris that may have accumulated
 - Check the flue is clear of any blockages

16. TROUBLESHOOTING TIPS

16.1 Stove glass blackening:

This has four possible causes:

1. **Incorrect use of airwash** – See Sections 1, 4 and 5 for the correct use of the air controls.
2. **Burning unseasoned wood** – See Section 3 to identify when wood is ready for burning.
3. **Stove operated at too low a temperature** - good working temperature is 300-500° F (120 – 250° C). A stove pipe thermometer can identify this problem (Stovax part no 3046)
 - Burn with the airwash control fully open for approximately 20 minutes to cure thisThe problem may be caused by damping your appliance down overnight.
4. **Problems with the flue** – in particular insufficient air pull. If the flue is not working efficiently the glass can blacken. A flue which has too much downdraft may be too short or needs lining or has too many bends. This can also cause blackening of your stove glass. Contact the installer or a flue specialist for advice.

16.2 Riddling mechanism jamming:

This occurs when fine ash builds up under the riddling bars preventing movement. To prevent this:

- Follow a regular cleaning routine for the inside of your appliance
- Lift out the riddling mechanism and remove all ash
- Replace riddling mechanism when cleaning is complete

16.3 Glass cracking:

Do not over tighten the screws on the glass clips when replacing the glass as this causes stress and the intense temperature changes can cause the glass to crack. For replacement glass contact your local Stovax dealer.

16.4 Appliance is producing tar:

This is identified by:

- A very strong pungent smell shortly after the appliance is lit and heats up

- Glass blackening
- Thick, brown and sticky tar oozes from the pipe joints

This is caused by burning damp wood and burning your appliance at too low a temperature;

- Use well seasoned wood and operate the appliance in the ideal temperature range

Tar is a major cause of chimney fires - if you experience problems with tar build up consult a chimney sweep before continued use of your appliance.

Ideal working temperature range is 130°C and 240°C (270°F – 465°F). Failing to close down the primary air control once the appliance has heated up to this range may cause the appliance to over-fire and to exceed the ideal temperature range. Over-firing can cause permanent damage to the appliance and invalidates your warranty.

TECHNICAL SPECIFICATION

STOCKTON

Model			Stockton 3	Stockton 4	Stockton 5	Stockton 5ML	Stockton 6	Stockton 6HL	Stockton 7	Stockton 8	Stockton 8 SL	Stockton 11
Stockton 3 - 7118												
Stockton 4 - 7101/7102												
Stockton 5 - 7119/7160/7108/7127/Stockton 5ML - 7130												
Stockton 6 - 7100/7162/Stockton 6HL - 7117												
Stockton 7 - 7120/7163												
Stockton 8 - 7103/7104/7105/7113/7113LC/7113HC/7114/7128												
Stockton 11 - 7106/7106LC/7106HC/7116/7116LC/7116HC												
Nominal Heat Output	Wood	kW	3.75	4.0	4.9	4.9	6.0	6.0	7.0	8.0	7.0	11.0
	Solid Fuel	kW	3.75	4.0	4.9	4.9	6.0	6.0	7.0	8.6	7.0	N/A
Flue Draught at Nominal Heat Output	All Fuels	mm Wg	1.25	1.25	1.25	1.25	1.25	1.25	1.25	1.25	1.25	1.25
		inch Wg	0.05	0.05	0.05	0.05	0.05	0.05	0.05	0.05	0.05	0.05
Flue Gas Mass Flow	Wood	g/s	3.8	3.8	2.6	2.6	5.2	5.2	6.1	7.0	7.0	11.40
	Solid Fuel	g/s	2.9	2.9	3.2	3.2	6.2	6.2	6.8	7.3	7.3	N/A
Flue Gas Temperature at Spigot/Socket	Wood	°C	408	369	369	369	427	427	446	446	446	453
	Solid Fuel	°C	408	369	369	369	427	427	446	446	446	N/A
Flue Outlet Size (Top or Rear Option)		mm	125	125	125	125	125	125	150	150	150	180
		inch	5	5	5	5	6	6	6	6	6	7
Minimum Hearth Type Required	Constructional = CH 12mm Hearth = 12mm		CH	CH	CH	12 mm	CH	12 mm	CH	CH	CH	CH
Weight		kg	76	83	120	100	140	150	130	140	120	160
Recommended Fuels	Wood	Seasoned wood (less than 20% moisture content)										
	Solid Fuel	Briquette smokeless fuel suitable for closed appliances. (Not Stockton 11) (Ancit - Phurnacite - Taybrite - Homefire ovals)										
As tested to the requirements of EN 13240 for intermittent operation.												

TECHNICAL SPECIFICATION

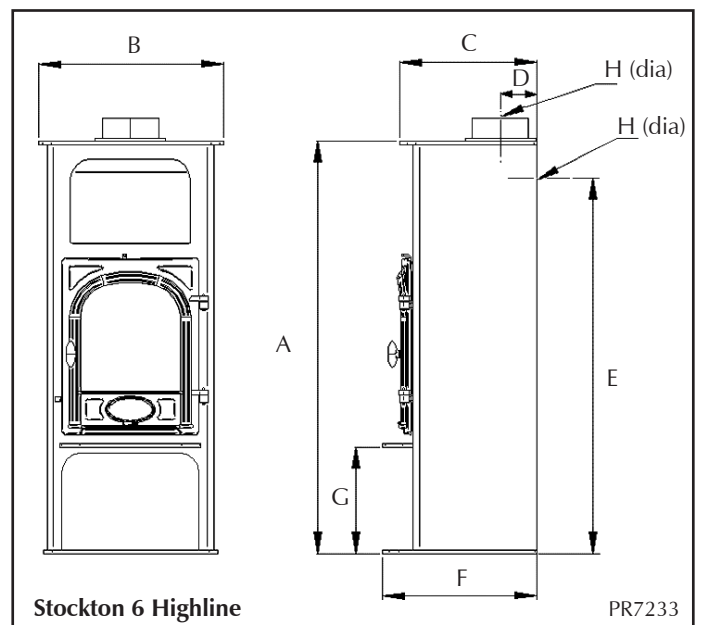
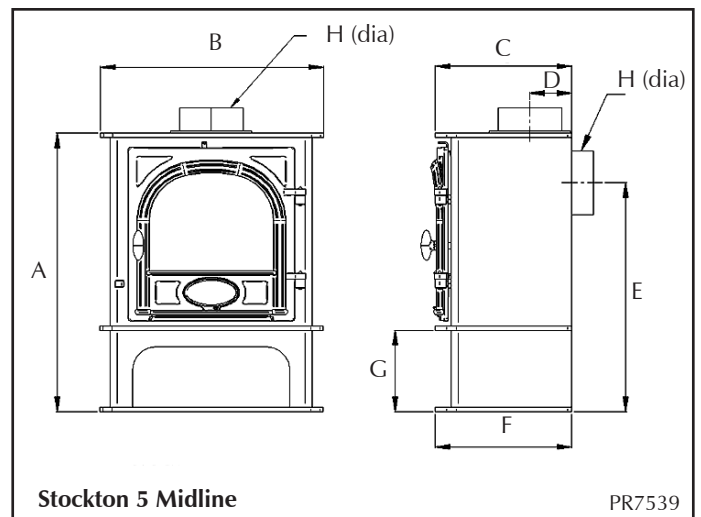
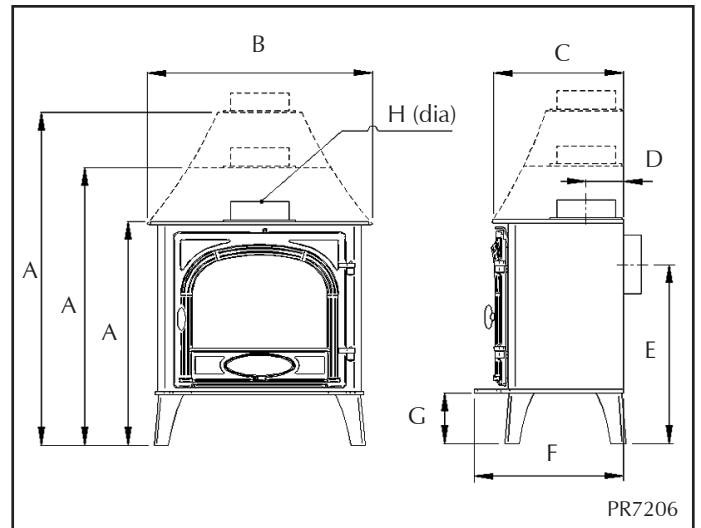
1. STANDARD FEATURES

- Primary air (under grate air for full multi-fuel use)
- Airwash (for wood burning / clean glass)
- Preset secondary air control (to ensure complete burning of flue gases)
- Riddling grate system for clean de-ashing (when fitted with multi-fuel kit)
- Removable door handle tool
- Top or rear flue exit option

2. PACKING LIST

- User Instructions
- Installer Instructions
- Guarantee card
- Pair leather gloves
- Door handle tool
- Fire bricks
- Ashpan (MF Only)
- Riddling tool (MF Only)

STOCKTON DIMENSIONS



Dimensions on next page

TECHNICAL SPECIFICATION

STOCKTON DIMENSIONS

Description	Model	A	B	C	D	E	F	G	H (dia)
Stockton 3	7118	510	389	291	90	405	338	96	125
Stockton 4	7101	572	389	291	90	465	338	112	125
	7102								
Stockton 5	7119	544	481	294	90	436	335	120	125
	7127								
Stockton 5 LC	7160	684	503	294	90	436	335	120	125
	7161								
Stockton 5ML	7130	600	481	294	90	493	294	175	125
Stockton 6	7100	609	456	339	90	501	380	120	125
	7162								
Stockton 6 HL	7117	1020	456	338	90	913	380	263	125
Stockton 7	7120	580	536	341	105	455	385	121	150
	7163								
Stockton 8 FT	7103	620	603	366	105	495	411	141	150
	7128/7113								
Stockton 8 LC	7104	758	624	366	105	495	411	141	150
	7113LC								
Stockton 8 HC	7105	911	624	366	105	495	411	141	150
	7113HC								
Stockton 8 SL	7114	589	603	288	105	474	338	119	150
Stockton 11 FT	7106	678	723	403	117	541	467	162	180
	7116								
Stockton 11 LC	7106LC	870	759	403	117	541	467	162	180
	7116LC								
Stockton 11 HC	7106HC	1100	759	403	117	541	467	162	180
	7116HC								

Additional information covering the installation of the Stockton stove may be found in the following British Standard: BS8303

SITE REQUIREMENTS

1. FLUE OR CHIMNEY

- 1.1 The flue or chimney system must be in good condition. It must be inspected by a competent person and passed for use with the appliance before installation

Products of combustion entering the room can cause serious health risks.

- 1.2 You must check the following:

— The construction of the masonry chimneys, flue block chimneys and connecting flue pipe system must meet the requirements of the Building Regulations†

— A flexible flue liner system can be used if certified for use with solid fuel systems and installation complies with manufacturer's instructions and Building Regulations. The flue liner must be replaced when an appliance is replaced unless proven to be recently installed and in good condition.

— If it is necessary to fit a register plate it must conform to the Building Regulations†

— The minimum height of the flue or chimney must be 4.5m from the hearth to the top of the flue, with no horizontal sections, a maximum of 4 bends with angles of less than 45 degrees

— Ensure the connecting flue pipe it kept a suitable distance from any combustible material and does not form part of the supporting structure of the building

— Make provision to remove the appliance without the need to dismantle the chimney

— Any existing flue must be confirmed as suitable for the new intended use as defined in the Building Regulations

— The flue or chimney systems must be inspected and swept to confirm the system is structurally sound and free from obstructions**

— If the appliance is believe to have previously served an open fire the chimney must be swept a second time within a month of regular use after installation to clear any soots falls that may occurred due to difference in combustion levels.

— The flue exit from the building must comply with local building control rules.†

— Do not connect or share the flue or chimney system with another heating appliance

- 1.3 Do not connect to systems containing large voids or over 230mm square.

- 1.4 You must provide suitable access to enable the collection and removal of debris.

- 1.5 You must sweep and inspect the flue when the appliance is installed.

- 1.6 You must check the flue draught with all windows and doors closed and any extraction fans in this or adjoining rooms running at maximum speed. (See next section for additional ventilation requirements)

Max. Draught = 2.0mm Wg

Min. Draught = 1.0mm Wg

In the U.K:

*BS 6461: Part 1, and the requirements of Building Regulations

**This should be done by a NACS registered (UK only)/ INFO registered (Eire only) chimney sweep, who will issue you with a certificate.

† Building Regulations Document J

Flue Plate:

Where a hearth, fireplace, flue or chimney is provided or extended (including cases where a flue is provided as part of refurbishment work), information essential to the correct appliance and use of these should be permanently posted in the building, to meet Requirement J4 of the Building Regulations (England and Wales), F3.12 (Scotland).

† Building Regulations Document J

Additional:

A new factory made system that complies to EN 1856; Part 1 can be used providing installation is to the requirements of:

- i) BS 7566 Parts 1 -4
- ii) the manufacturer's instructions
- iii) Building Regulations.

For a guide containing information on Chimneys and Flues contact:

The British Flue & Chimney Manufacturers' Association, FETA

2 Waltham Court

Milley Lane

Hare Hatch

Reading

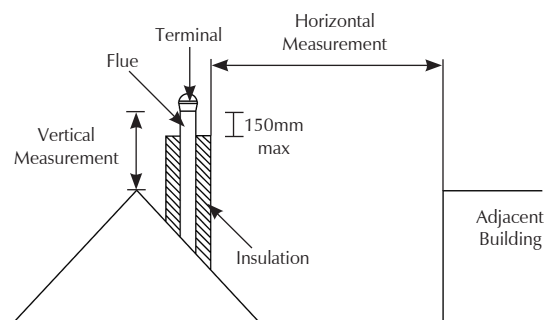
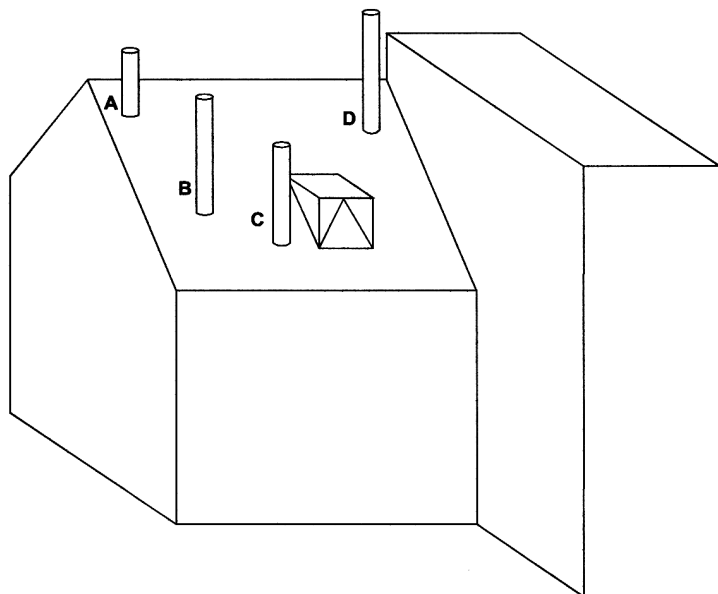
Berkshire RG10 9TH

Tel: 0118 9403416

e-mail: info@feta.co.uk

SITE REQUIREMENTS

1. FLUE OUTLET POSITIONS

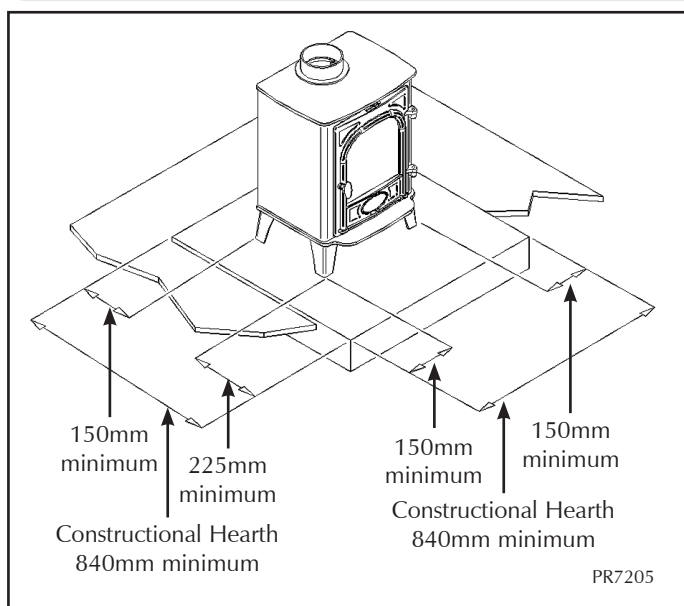


The vertical measurement is the lowest from either the point of discharge or 150mm above insulation.

	Position On Roof	Minimum Clearances
A	On ridge or within 600mm	600mm above ridge
B	Elsewhere on roof	2300mm horizontally from roof surface and: a) 1000mm above highest point of flue exit from roof or b) as high as the ridge
C	On pitched, within 2300mm horizontally to openable window, dormer	1000mm above top of opening
D	Within 2300mm of another building	600mm above top of building

IMPORTANT: Seek specialist advice if installing in a dwelling with a thatched roof

1. HEARTH DIMENSIONS



2.1 Except **Stockton 5 Midline** and **Stockton 6 Highline** the appliance must stand on a constructional hearth which is at least 125mm thick with the minimum dimensions as shown.

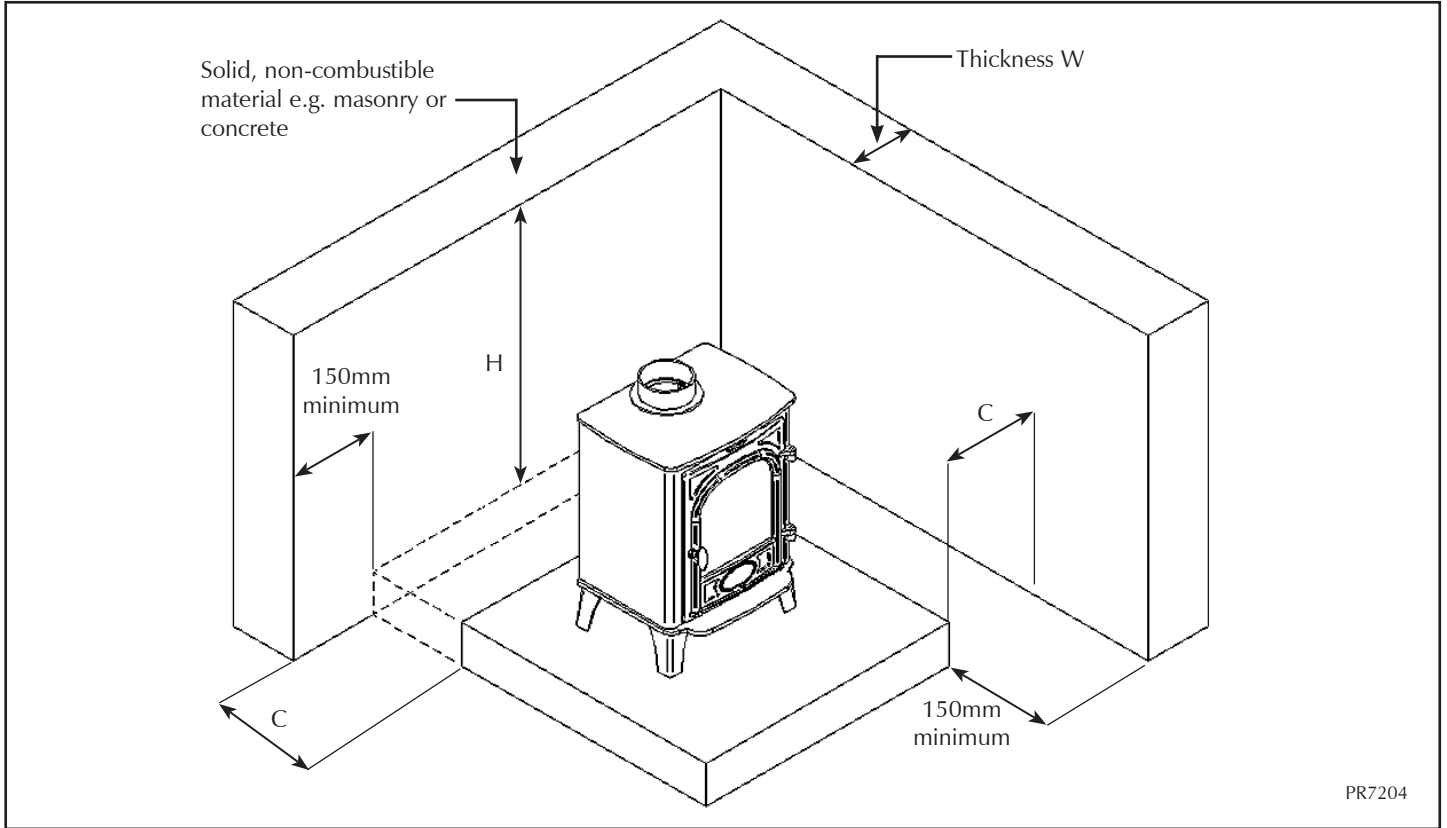
Stockton 5 Midline and **Stockton 6 Highline** only require a noncombustible hearth which is at least 12mm thick with the minimum dimensions as shown in the diagram opposite.

Note: If operated with the doors open without a sparkguard the hearth must be extended by a minimum of 300mm in front of the appliance.

- 2.2 The building must have a suitable load-bearing capacity for the hearth and appliance.
 - Consult a structural engineer for advice before proceeding
- 2.3 When fitting into an existing hearth check:
 - That the appliance complies with current construction regulations and is at least the minimum sizes shown
- 2.4 If there is no existing fireplace or chimney it is possible to construct a suitable non-combustible housing and hearth setting. The flue must be installed in accordance with all local and national regulations and current rules in force .
 - Check if adding a new chimney to your property requires planning permission

SITE REQUIREMENTS

WALLS NEXT TO A HEARTH



Position of Appliance & Hearth in relation to walls		Requirement for the walls	
Distance of hearth from wall 'C'	Distance of Appliance to wall	Min thickness of Wall 'W'	Min height of wall 'H'
0mm	0mm - 50mm	200mm	Height of appliance + 300mm Or 1200mm from the hearth (take largest dimension)
0mm	51mm - 300mm	75mm	
0 - 150mm	150mm +	75mm	1200mm
150mm +	300mm +	No Minimum Requirement	

Suitable clearance should be allowed around the stove to enable the correct fitting and maintenance of the appliance.
Any clearances should be confirmed by making a site survey and a physical check of wall thickness and dimensions.

PRE-INSTALLATION CHECKS

1. FLUE

Model			Stockton 3	Stockton 4	Stockton 5/5ML	Stockton 6/6HL	Stockton 7	Stockton 8	Stockton 8 SL	Stockton 11	
Stockton 3 - 7118 Stockton 4 - 7101/7102 Stockton 5 - 7119/7160/7161/7127/Stockton 5ML - 7130 Stockton 6 - 7100/7162/Stockton 6HL - 7117 Stockton 7 - 7120/7163 Stockton 8 - 7103/7104/7105/7113/7113LC/7113HC/7114/7128 Stockton 11 - 7106/7106LC/7106HC/7116/7116LC/7116HC											
Flue/Chimney Size	Without Liner System Round (diameter)	mm	150	150	150	150	150	150	150	180	
		inch	6	6	6	6	6	6	6	7	
	Without Liner System (square) Minimum Dimension	mm	135	135	135	135	135	135	135	135	165
		inch	5½	5½	5½	5½	5½	5½	5½	5½	6½
	With Liner or Factory made System (diameter) <small>installed in accordance with manufacturers instructions</small>	mm	‡150	‡150	150	150	150	150	150	150	180
		inch	‡6	‡6	6	6	6	6	6	6	7
Flue/Chimney minimum height*	m	4	4	4	4	4	4	4	4	4	
	feet	13	13	13	13	13	13	13	13	13	

* When measured from the top of the flue, with no horizontal sections and a maximum of 4 bends with angles of less than 45°

‡ May be 125mm (5") if burning low volatiles (smokeless) fuels approved for use in Smoke Control Areas. See web site <http://uksmokecontrolareas.co.uk> for more information about approved fuels.

2. ADDITIONAL VENTILATION

2.1 Additional ventilation is required to comply with the requirements of the Building Regulations. This must be provided using a permanently open air vent, of the size listed, which is positioned so that it is not liable to be blocked both inside and outside the building.

2.2 Extractor fans or cooker hoods must not be placed in the same room or space as this can cause the appliance to emit fumes into the room.

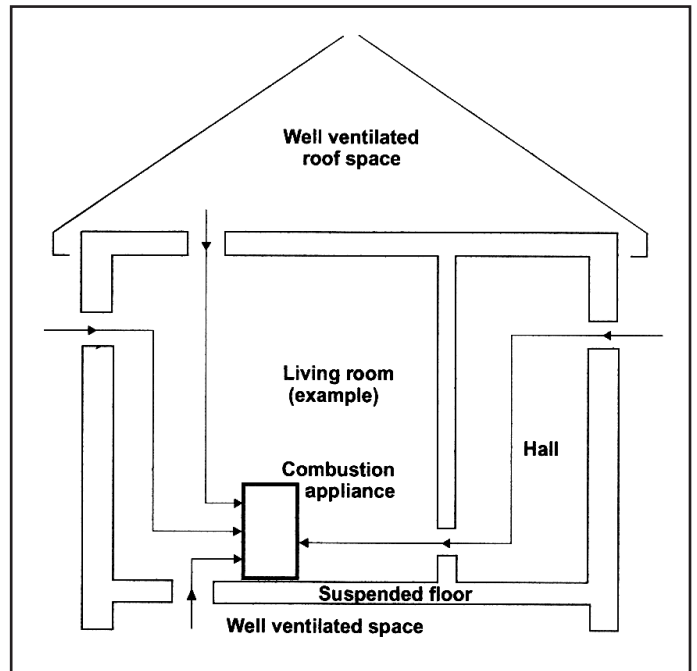
2.3 **If any of these checks reveal problems do not proceed with the fitting of the appliance until they have been rectified.**

Model		Stockton 3	Stockton 4	Stockton 5/5ML	Stockton 6/6HL	Stockton 7	Stockton 8	Stockton 8 SL	Stockton 11
Stockton 3 - 7118 Stockton 4 - 7101/7102 Stockton 5 - 7119/7160/7161/7127/Stockton 5ML - 7130 Stockton 6 - 7100/7162/Stockton 6HL - 7117 Stockton 7 - 7120/7163 Stockton 8 - 7103/7104/7105/7113/7113LC/7113HC/7114/7128 Stockton 11 - 7106/7106LC/7106HC/7116/7116LC/7116HC									
Additional Ventilation	mm ²	0	0	0	550	1100	1650	1650	3300
	cm ²	0	0	0	5.5	11	16.5	16.5	33
	in ²	0	0	0	0.85	1.70	2.56	2.56	5.12

PRE-INSTALLATION CHECKS

3. VENTILATION

- 3.1 This appliance requires ventilation to supply combustion air. Any room containing the appliance must have a permanent air vent opening with a total free area of at least 550mm^2 per kW of appliance rated output above 5kW.
- 3.2 Increase air supply provisions where a room contains multiple appliances.
- 3.3 If vents open into adjoining rooms or spaces there must be an air vent of at least the same size direct to the outside.
- 3.4 Permanent air vents should be non-adjustable and positioned where they are unlikely to become blocked.
- 3.5 Site the vents where cold draught is unlikely to cause discomfort. This can be avoided by placing vents near ceilings or close to the appliance, see Diagram opposite.



INSTALLATION INSTRUCTIONS

LEGAL REQUIREMENTS

Before installation of this product please read these instructions fully.

It is very important to understand the requirements of the national Building Regulations* and standards**, along with any local regulations and working practices that may apply. Should any conflict occur between these instructions and these regulations then the regulations must apply.

Your local Building Control Office can advise regarding the requirements of the regulations.

The appliance must be fitted by a registered installer, or approved by your local building control officer.

Works must be carried out with care to meet the requirements of Health and Safety† and comply with the Health and Safety rules, and any new regulations introduced during the lifetime of these instructions.. Particular attention should be drawn to:

- **Handling:** The appliance is heavy. Adequate facilities must be available for loading, unloading and site handling.
- **Fire Cement:** Some fire cement is caustic and must not come into contact with the skin. Protective gloves must be worn. Wash hands thoroughly with plenty of water after contact with skin.
- **Asbestos:** This appliance contains no asbestos. If there is the possibility of disturbing any asbestos in the course of installation seek specialist guidance and use appropriate equipment.
- **Metal Parts:** Take care when installing or servicing the stove to avoid personal injury.

A faulty installation can cause danger to the inhabitants and structure of the building.

For users of this appliance:

Your building insurance company may require you to inform them that you have installed a new heating appliance. Check that your cover is still valid after installing the appliance.

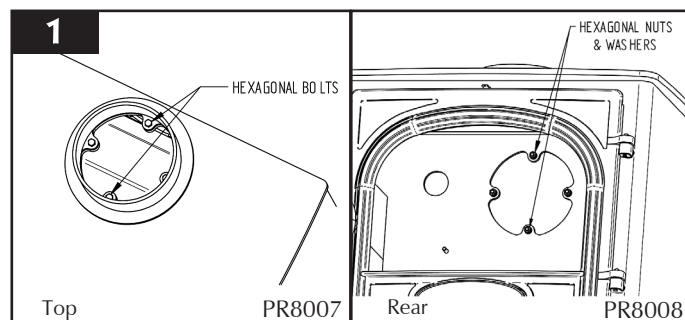
1. INSTALLING THE APPLIANCE

Each installation is unique to the property so it is not possible to give details to suit every setting. The installation must comply with Building Regulations and be made using "best practice" construction methods.

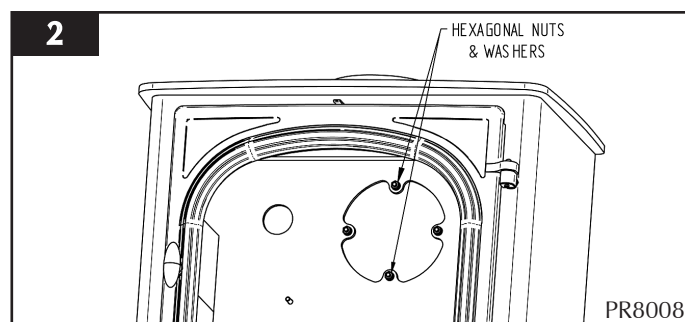
Many fireplace openings have a supporting lintel. Do not remove without supporting the remaining structure of the building. **Do not support the structure with the appliance or the flue system.**

1.1 Take care when installing the appliance. Careless handling and use of tools can damage the finish and/or area.

- Choose top or rear flue exit:

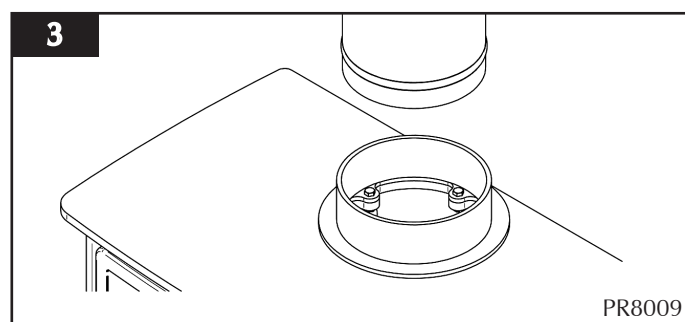


- Fit flue collar and blanking plate to suit
- Attach flue collar to top or rear with hexagonal bolts, see Diagram 1
- Seal with fire cement if desired
- Secure blanking plate with hexagonal bolts, Diagram 2



1.2 Top flue pipe installation

- Lift appliance into position
Take care not to damage the hearth finish.
- Level the appliance
- Connect appliance to the chimney using flue pipe
- Secure with self tapping screw
- Seal the connecting joints

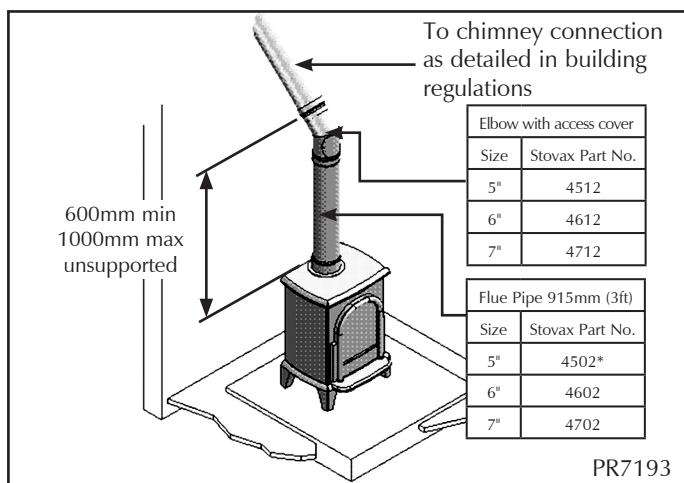
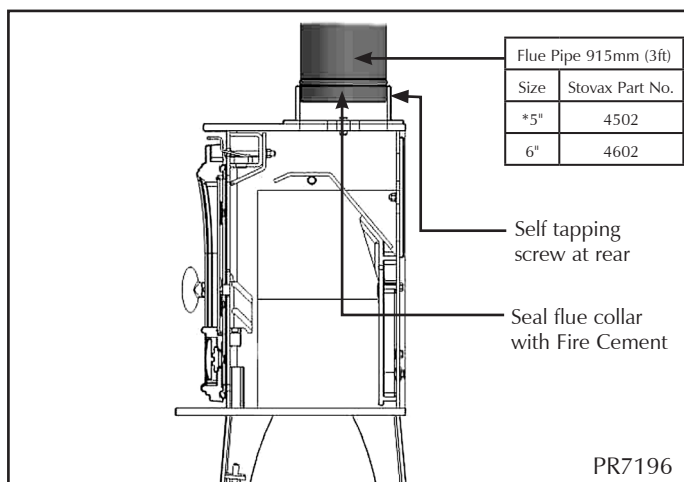


The Flue must be installed in accordance with manufacturers instructions.

In the U.K:

- * • England and Wales – Document J / Scotland - Part F, Building Regulations, 1997 Technical Guidance Document J Heat Producing Appliances (Republic of Ireland only)
- ** • Registered body: HETAS (GB only)/INFO (Eire)

INSTALLATION INSTRUCTIONS

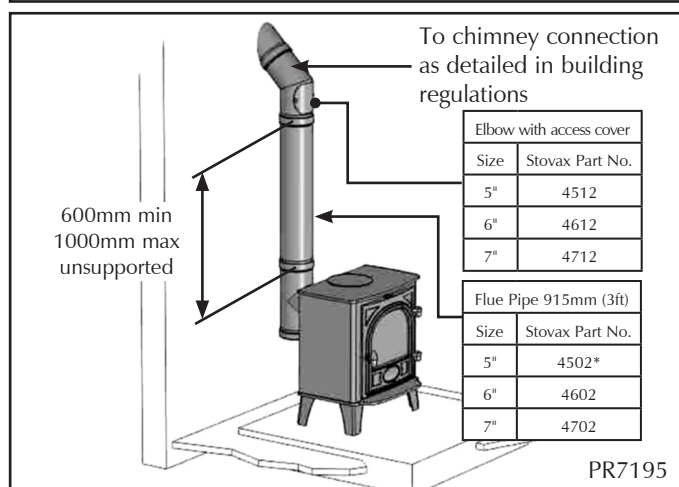
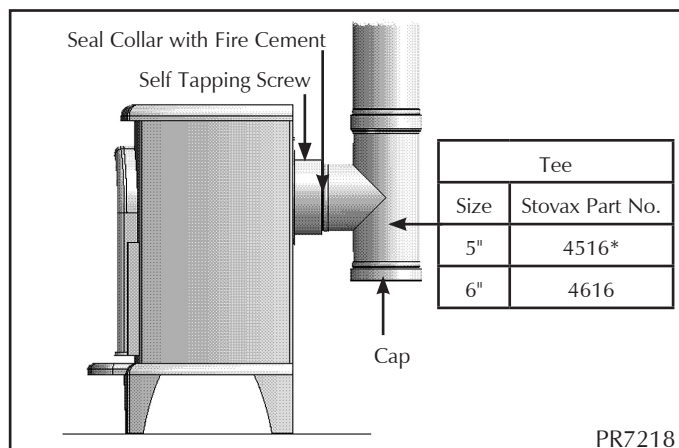


1.3 Rear flue pipe installation

- Insert a tee into the flue collar
The tee piece is used as cleaning access.
- Lift appliance into position
Take care not to damage the hearth finish.
- Level using adjustable bolts, see picture 1
- Connect tee to the chimney using flue pipe
- Secure with self tapping screw
- Seal the connecting joints

Do not use a 90° elbow to make this connection

The Flue must be installed in accordance with manufacturers instructions.



2. REMOVAL OF THE LOG GUARD

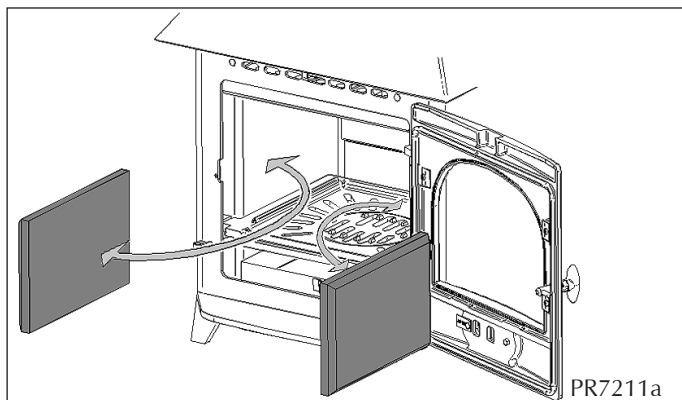
2.1 To remove the Log guard:

- Lift Log Guard clear of the supporting brackets
- Rotate to clear the sides of the door opening.
Do not use appliance without the log guard in position.

3. FITTING AND REMOVAL OF THE FIREBRICKS

- 3.1 Remove the firebricks as part of the routine maintenance. This can be carried out without the use of tools.
- 3.2 Allow the appliance to cool fully before removing firebricks.
- 3.3 Take care when handling, as bricks can become fragile after use. Life span depends on the type of fuels burnt and the level of use.
 - Replace damaged bricks as soon as possible
- 3.4 If your stove is fitted with 4 upper firebricks:
 - Remove the lower 2 bricks first
 - Remove the top bricks from the support rails

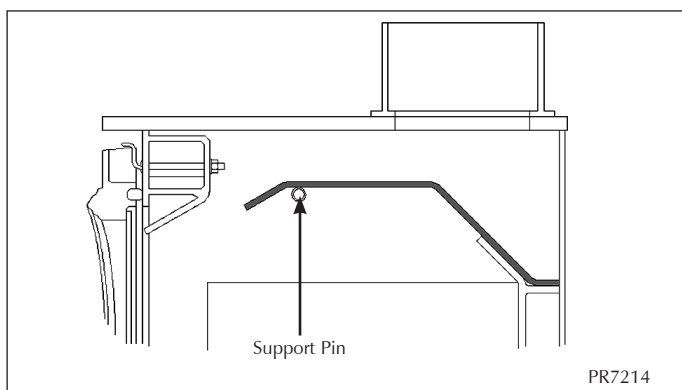
INSTALLATION INSTRUCTIONS



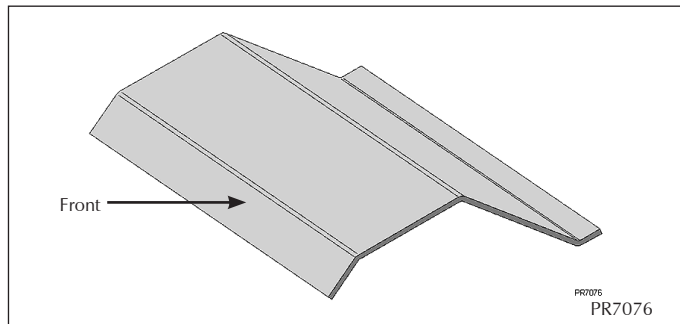
- Replace in reverse order

4. FITTING AND REMOVAL OF THE BAFFLES

- 4.1 The appliance is fitted with a baffle in the top of the firebox to maintain efficient combustion
- 4.2 Allow the stove to cool fully before removing the baffle system.
- 4.3 To remove the baffle:
 - Remove the log guard from the stove for access
 - Lift the front edge of the baffle to clear the support bars
 - Pull the baffle forward to disengage the rear edge from the location above air inlet holes
 - Rotate the baffle to remove from the firebox through the door opening.



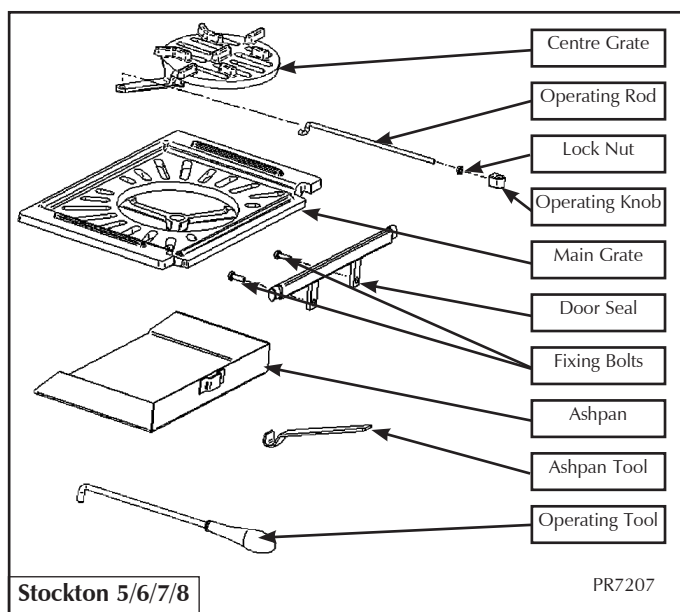
- Replace in reverse order



- 4.6 Remove and clean the baffle system to ensure the flue ways are clear of soot and debris and to ensure the safe, efficient operation of the stove. The frequency of cleaning will depend on the stove operating conditions.
- 4.7 The baffle system is designed to give safe and efficient operation of the stove. Replace any damaged baffles immediately.
- 4.8 Do not modify the baffle system.

5A. FITTING MULTI-FUEL KIT TO WOOD STOVE (OPTIONAL) STOCKTON 5/6/7/8

- 5.1 These instructions cover the fitting of the optional multi-fuel kit to a wood burning appliance, in order to burn manufactured smokeless fuels as listed in the User Instructions.
- 5.2 To fit the Multi-fuel kit:
 - Remove the log retainer if fitted.
 - Remove the fire bricks
 - Remove the blanking bolt, fitted in the grate operating rod hole, on the front of the stove (Near the lower left-hand corner of the door)



Stockton 5/6/7/8

PR7207

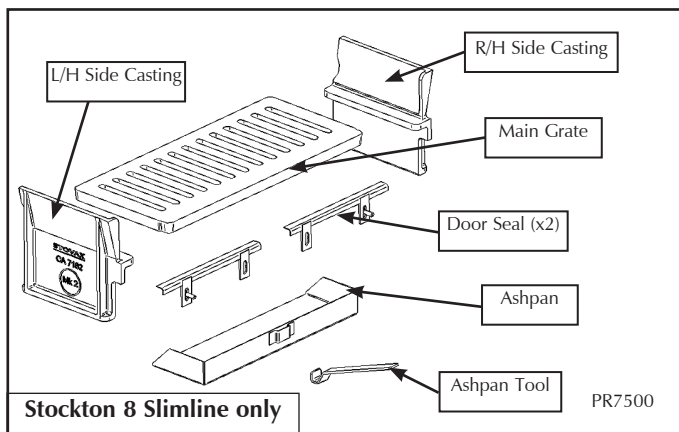
INSTALLATION INSTRUCTIONS

- Place the main grate into place on the steel runners
The grate must sit flat and locate in the fixing slots in the supports.
- Refit the firebricks above the grate
- Remove the operating knob and nut from the end of the rod
- Fit the operating rod to the centre grate
- Feed the operating rod through the hole in the front of the firebox, while dropping the centre grate into position in the main grate
- Refit the operating knob and lock into position with the nut
- Refit the log retainer
- Place the ashpan under the grate.
- Fit the additional door seal to the back of the door as detailed
- Remove the air control cover fixing bolts
Note how the air slider is assembled for ease of replacement
- Fix the additional seal to the back of the door
Use the new, longer, fixing bolts to replace the air control cover. The seal should line-up with the front of the main grate.
- Check that the door closes correctly.

Use the one long fixing bolt (new) and one existing fixing bolt. Note how the cover and air control are fitted to enable reassembly.

- Pass the additional seal under the front edge of the main grate
Adjust to ensure the correct fit.
- Check that the door closes correctly

5B. FITTING MULTI-FUEL KIT TO STOVE (OPTIONAL) STOCKTON 8 SLIMLINE



- 5.1 These instructions cover the fitting of the optional multi-fuel kit to a wood burning appliance, in order to burn manufactured smokeless fuels as listed in the User Instructions.
- 5.2 To fit the Multi-fuel kit:
- Fit side fire bricks, as detailed in section 3
 - Slide the L/H and R/H side castings into position against the side bricks
 - Place the main grate onto the side castings
Ensure the 2 small corner cut-outs are at the front.
 - Refit the log retainer
 - Place the ashpan under the grate
 - Fit the additional seals to the back of each door

COMMISSIONING

COMMISSIONING

1.1 To commission:

- Replace the firebricks, baffle, and log retainer
- Check the door alignment and catch operation, adjust if required, see Installation Section 6. Adjusting Door hinges
- Check the soundness of door seals, castings and joints
- Check the operation of the air controls

1.2 Now carry out a final smoke draw test:

- First warming the flue with a blowlamp, or similar, for about 10 minutes
- Place a smoke pellet on the centre of the grate, with the air controls open
- Close the door
Smoke should now be drawn up the flue and be seen to exit from the flue terminal
- Complete test with all doors and windows closed in the room where the appliance is fitted
- If there are any extractor fans in adjacent rooms, the test must be repeated with the fans running on maximum and interconnecting doors open
- Check the effect of ceiling fans during the test

If the test fails, re-check the suitability of the flue system and ventilation. An inadequate air supply to the room is potentially dangerous.

- Light the appliance and slowly increase the temperature to operating levels
- Ensure no combustion products enter the room
- Open the main fire door when the appliance reaches operating condition and carry out a spillage test with a smoke match or pellet around the door opening

1.3 If excessive spillage occurs:

- Allow the appliance to cool and re-check the flue system and ventilation

1.7 Finally:

- **Explain the safe operation of the appliance and the use of the controls to the user and the importance of only using suitable fuels**
- **Explain the cleaning and routine maintenance requirements**

- **Explain the requirement to use a suitable fireguard when children, elderly or infirm persons are near the appliance**

- **Record dealer/supplier details and installer details in *Instructions***

- **Record serial number in page 3 of *Instructions***
This number is required when ordering spare parts and making warranty claims

- **Give the copy of the *Instructions* to the customer**

MAINTENANCE and SERVICING

For a complete list of spare parts and accessories contact your Stovax or call 01392 474011

1. ANNUAL SERVICE

1.1 At the end of the heating season strip, inspect and clean the appliance as detailed:

- Allow appliance to cool

- Remove all of the following internal parts; baffle, firebricks, complete grate, and ashpan. For Multi-fuel versions remove the complete grate and ashpan.

See sections 5 and 6 on how to remove the baffles and firebricks. Take care handling firebricks, as they can become fragile after a period of use.

- Vacuum clean any remaining ash and debris from the inside of the appliance.

Stovax offer a filter/collection attachment for your vacuum cleaner to protect it from fire ash. Ash Clean (Stovax Part No. 2091).

- Clean the internal surfaces of the appliance using a wire brush and scraper as required
- Vacuum and brush the resulting debris from the appliance.

- Clean the grate parts with a wire brush, and check the parts for any damage
- Replace any damaged parts
- Check and clean the firebricks with a soft brush
- Replace broken bricks

Some surface damage will occur during use. The life of the bricks will depend on the type of fuels burnt and the level of use. Damaged bricks should be replaced as soon as possible.

- Re-fit cleaned internal parts
- Remove the glass from the door, See section 7 page 20, and discard all old rope seals

- Remove the door rope seal from the outer edge of the door and clean the old glue from the door sealing rope groove
- Clean the door glass using Stovax Glass cleaner and a soft cloth

Do not use abrasive cleaners to remove tar or soot deposits from the glass.

- Replace the glass edge seal with new and re-fit the glass into place in the door
- Fit new door rope seal, gluing it in place with Stovax Thermic Seal rope adhesive

- Press the new door sealing rope into the locating groove, placing the joint in the middle of the lower edge of the door.

When fitting new door seals, close the appliance door and leave for at least 12 hours before using. This allows the adhesive to fully bond to the seal before use.

- Lightly oil the door catch mechanism and hinge pins
- Avoid getting oil onto the door seals and glass.

To refresh painted finishes use Stovax Thermolac paint.

1.2 Use genuine Stovax replacement parts to keep your appliance in safe and efficient working order. Your local Stovax dealer can provide you with the parts you require.

This is a list of the maintenance products you may need to use

Task	Product name	Stovax Code Number
Glass cleaning	Stove glass cleaner 500ml (on)	4111
	Stove glass cleaner (Spray on)	4103
Preventing build-up of creosote in flue	Protector (15 sachets)	7002
	Protector (1kg tub)	7025
Sealing flue pipe joints	Fire Cement (500g tub)	2020
	Fire Cement (600g cartridge)	2021
Re-painting	Thermolac Black (400ml aerosol)	2019
	Thermolac Black (200ml brush-on)	2057
Cleaning matt black Appliances	Colloidal black (85ml)	7000
Protecting your hands	Heat resistant leather gloves	4008
Door sealing rope	14mm Black rope seal (Handy pack)	5000
	14mm Black rope seal (25m reel)	4670
Glass sealing tape	3mm Black rope seal (Handy pack)	4975
	3mm Black rope seal (25m reel)	4974
Thermic seal glue	(50ml bottle)	5037
Soft rope	10mm diameter	4965
Ash Clean	Vacuum Cleaner Attachment	2091

These products, available from your local Stovax dealer, along with regular maintenance and use of correct fuels, will keep your appliance in the best possible condition.

1.3 If you require more information about Stovax group products visit our web site www.stovax.com

MAINTENANCE and SERVICING

- 1.4 Using the appliance for the first time:
- Burn at a low output for the first day of use
This allows the seals, fixing glues and paint to fully cure.
- 1.5 During this time the appliance may give off some unpleasant odours:
- Keep the room well ventilated to avoid a build-up of fumes
- 1.6 Your Stovax dealer can carry out service and maintenance.

2. REMOVAL OF THE LOG GUARD

- 2.1 To remove the Log guard:
- Lift Log Guard clear of the supporting brackets
 - Rotate to clear the sides of the door opening.
- Do not use appliance without the log guard in position.**

3. FITTING AND REMOVAL OF FIREBRICKS

- 3.1 See Section 3 Fitting & Removal of Baffle in Installation section.

4. FITTING AND REMOVAL OF BAFFLE

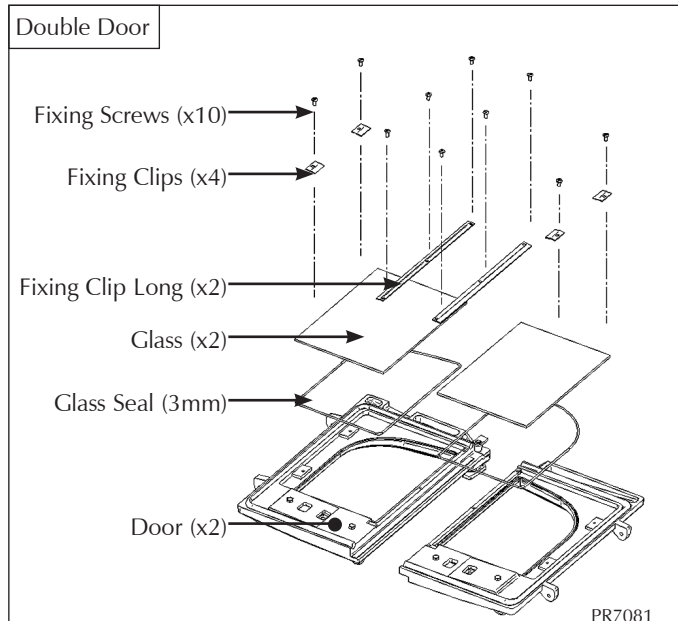
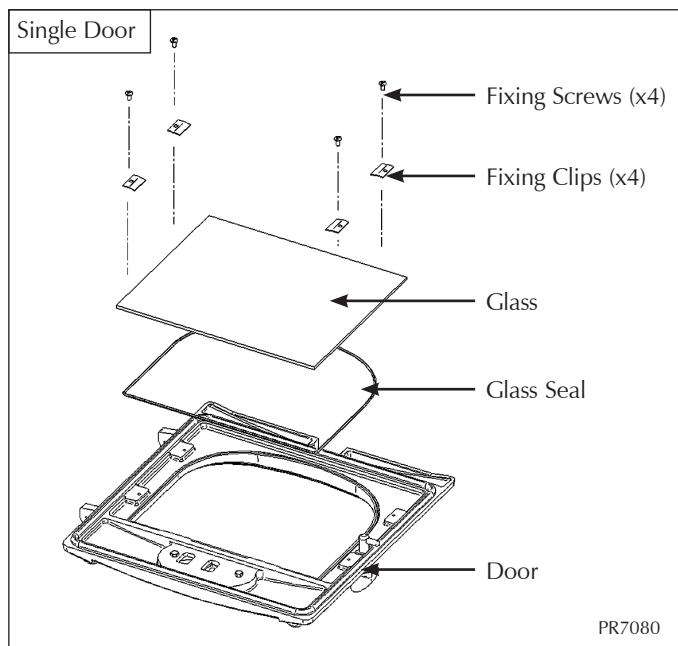
- 4.1 See Section 4 Fitting & Removal of Baffle in Installation section.

5. FITTING OPTIONAL MULTI-FUEL KIT TO STOCKTON 5/6/7/8

- 5.1 See Section 5A and 5B Fitting Multi-fuel Kit in Installation section.

6. FITTING A NEW DOOR GLASS

- 6.1 To maintain the safe use of your stove you may need to replace a damaged door glass.
- 6.2 To complete this operation:
- Open the door
 - Lift it free of the hinge blocks
 - Lie the door face down on a soft flat surface, to protect the paintwork and glass



- Remove the glass clip fixing screws (4)
- Lift the old glass can then be lifted clear of the door (Note how the 3mm sealing rope is placed between the glass and the door.)
- Dispose of the old glass safely
- Clean, and re-paint, the rear of the door if required
- Clean the screws with light oil
- Coat with high temperature anti-seize grease to aid future removal
- Fit new sealing rope between the new glass and the door
- Place the glass into position in the door
- Place the glass fixing clips into position
- Re-fix with the clean fixing screws

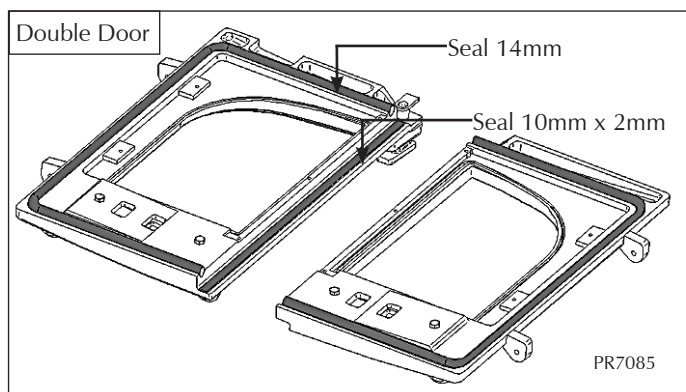
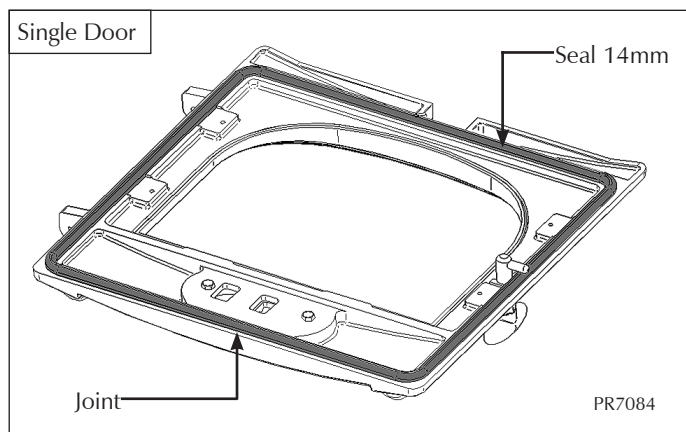
MAINTENANCE and SERVICING

- Tighten the screws evenly until the clips hold the glass
Do not over tighten the clips as this could break the glass.

- 6.3 Fit only Stovax ceramic glass, which is suitable to use in high temperature applications.
- 6.4 Using the appliance with damaged door glass could allow dangerous fumes to enter the room, or the appliance to over-fire and cause damage.

7. FITTING A NEW DOOR SEAL

- 7.1 To maintain the safe use of your appliance you may need to replace a damaged or worn door sealing rope.
- 7.2 To complete this operation:
- Open the door
 - Lift it free of the hinge blocks
 - Lie the door face down on a soft flat surface, to protect the paintwork and glass



- Remove the old rope
- Scrape old glue from the locating groove
- Clean the locating groove with a clean dry cloth removing all dust and debris
- Apply Stovax Thermic Seal glue (Stovax Part No. 5037) into the rope locating groove
- Press the new Stovax rope into the locating groove, placing the joint in the middle of the lower edge of the door

- Refit the door
- Close to apply pressure on the new rope
- Leave the appliance closed for at least 12 hours before lighting the stove
- Use at a low output for approximately one day

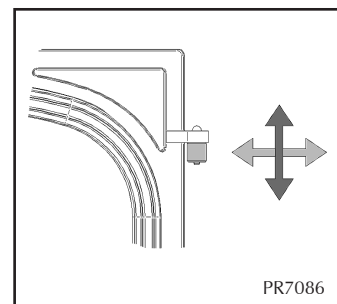
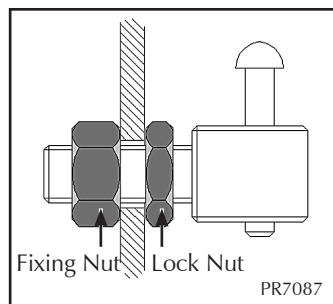
- 7.3 Using the stove with a damaged door seal could allow dangerous fumes to enter the room, or the appliance to over-fire and cause damage.

8. ADJUSTING DOOR HINGES

- 8.1 To maintain the safe use of your appliance, you may need to adjust the door hinges to ensure the door closes safely and correctly.

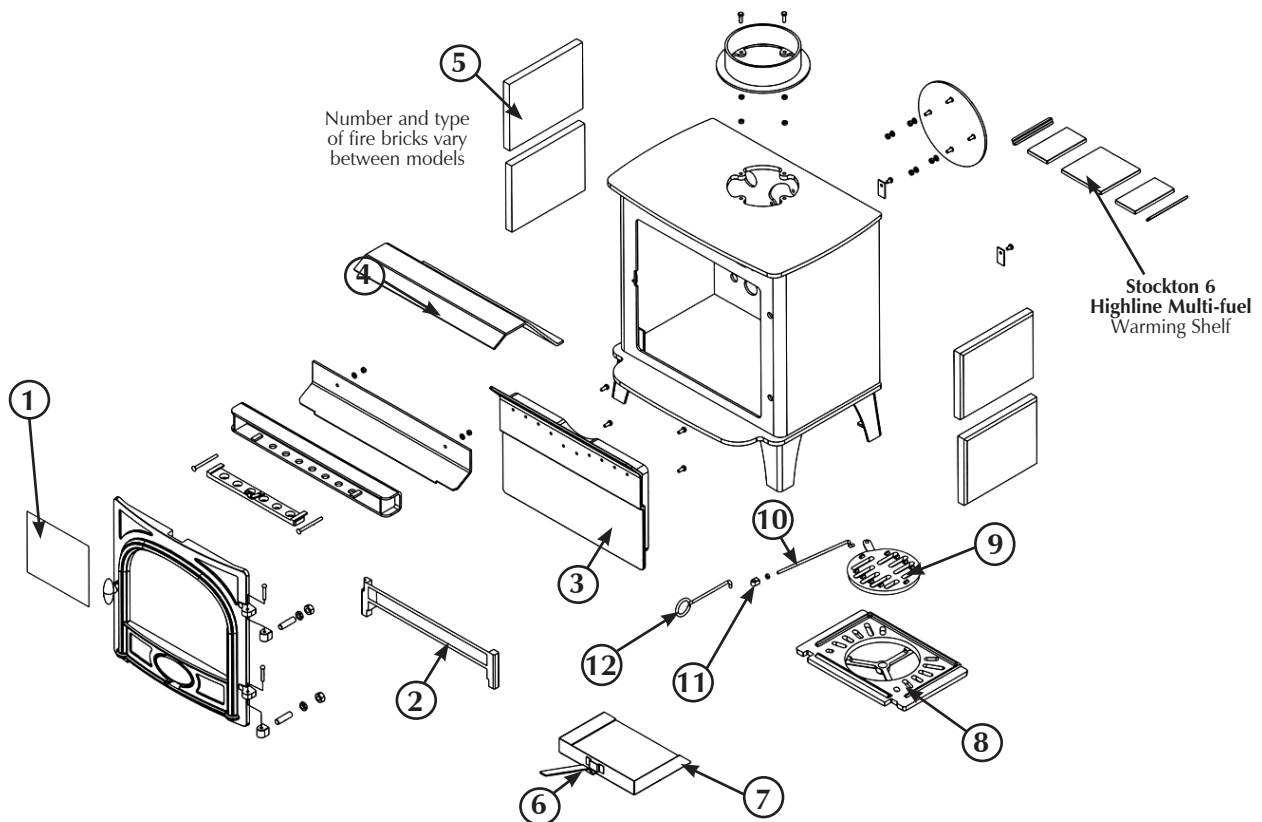
- 8.2 To complete this operation:

- Open the door to give access to the fixed part of the door hinge as shown



- Use a 19mm A/F spanner to loosen the fixing nuts
- Reposition the hinge blocks to achieve a correct fit
This may require several adjustments to find the correct position.

BASIC SPARE PARTS LIST



STOCKTON 3 MULTI-FUEL

Diagram No.	Description	Part No.
1	Door Glass	GL0233
2	Log Guard	SMN25
3	Clean Burn Chamber	S3.27
4	Baffle	SMN26
5	Side Fire brick	SMN31
6	Ashpan Tool	SM55
7	Ashpan	SMN28
8	Main Grate	SMN36
9	Centre Grate	SMN37
10	Riddling Rod	SMN35
11	Riddling Knob	SMN34
12	Operating Tool	SM63

STOCKTON 4

Diagram No.	Description	Part No.
1	Door Glass	GL0226
2	Log Guard	SMN25
3	Clean Burn Chamber	SMN27
4	Baffle	SMN26
5	Side Fire brick	SMN31
5	Side Fire brick	SMN24
Multi-fuel additions		
6	Ashpan Tool	SM55
7	Ashpan	SMN28
8	Main Grate	SMN36
9	Centre Grate	SMN37
10	Riddling Rod	SMN35
11	Riddling Knob	SMN34
12	Operating Tool	SM63

STOCKTON 5

Diagram No.	Description	Part No.
1	Door Glass	GL0234
2	Log Guard	S5.25
3	Clean Burn Chamber	S5.27
4	Baffle	S5.26
5	Side Fire brick	S5.24
Multi-fuel additions		
6	Ashpan Tool	SM55
7	Ashpan	S5.28
8	Main Grate	S5.53
9	Centre Grate	SMN37
10	Riddling Rod	SMN35
11	Riddling Knob	SMN34
12	Operating Tool	SM63

STOCKTON 6 HIGHLINE MF

Diagram No.	Description	Part No.
1	Door Glass	GL0100
2	Log Guard	SS25HL
3	Clean Burn Chamber	SS27
4	Baffle	SS26
5	Side Fire brick	SS24
6	Ashpan Tool	SM55
7	Ashpan	SS28
8	Main Grate	SS36
9	Centre Grate	SMN37
10	Riddling Rod	SMN35
11	Riddling Knob	SMN34
12	Operating Tool	SM63

STOCKTON 6 WOOD

Diagram No.	Description	Part No.
1	Door Glass	GL0100
2	Log Guard	SS25
3	Clean Burn Chamber	SS27
4	Baffle	SS26
5	Side Fire brick	SM24
STOCKTON 7		
Diagram No.	Description	Part No.
1	Door Glass	GL0235
2	Log Guard	S7.25
3	Clean Burn Chamber	S7.27
4	Baffle	S7.26
5	Side Fire brick	S7.24

Multi-fuel additions		
6	Ashpan Tool	SM55
7	Ashpan	S7.28
8	Main Grate	S7.64
9	Centre Grate	SMN37
10	Riddling Rod	S7.35
11	Riddling Knob	S5.34
12	Operating Tool	SM63

ADDITIONAL PARTS

Diagram No.	Description	Part No.
*	Pin for door handle	FA0012
*	Glass Clamp Screw	SM29
*	Glass clip	SM16
*	Door Tool	SM23

STOCKTON 8

Diagram No.	Description	Part No.
1	Door Glass	GL0101
2	Log Guard	SM25
3	Clean Burn Chamber	SM27
4	Baffle	SM26
5	Side Fire brick	SM24
2 Door Version		
1	Door Glass	GL0227
12	Operating Tool	SM2.23
*	Glass clip	SM2.16
Multi-fuel additions		
6	Ashpan Tool	SM55
7	Ashpan	SM28
8	Main Grate	SM64CE
9	Centre Grate	SMN38
10	Riddling Rod	SMN35
11	Riddling Knob	SMN34
12	Operating Tool	SM23

STOCKTON 11

Diagram No.	Description	Part No.
1	Door Glass	GL0102
2	Log Guard	SL25
3	Clean Burn Chamber	SL27
4	Baffle	SL26
5	Side Fire brick	SL24
2 Door Version		
1	Door Glass	GL0236
12	Operating Tool	SM2.23
*	Glass clip	SL2.16

SERVICE RECORDS

1ST SERVICE

Date of Service:.....

Next Service Due:.....

Signed:.....

Dealer's Stamp/HETAS Registration Number

2ND SERVICE

Date of Service:.....

Next Service Due:.....

Signed:.....

Dealer's Stamp/HETAS Registration Number

3RD SERVICE

Date of Service:.....

Next Service Due:.....

Signed:.....

Dealer's Stamp/HETAS Registration Number

4TH SERVICE

Date of Service:.....

Next Service Due:.....

Signed:.....

Dealer's Stamp/HETAS Registration Number

5TH SERVICE

Date of Service:.....

Next Service Due:.....

Signed:.....

Dealer's Stamp/HETAS Registration Number

6TH SERVICE

Date of Service:.....

Next Service Due:.....

Signed:.....

Dealer's Stamp/HETAS Registration Number

7TH SERVICE

Date of Service:.....

Next Service Due:.....

Signed:.....

Dealer's Stamp/HETAS Registration Number

8TH SERVICE

Date of Service:.....

Next Due:.....

Signed:.....

Dealer's Stamp/HETAS Registration Number

9TH SERVICE

Date of Service:.....

Next Due:.....

Signed:.....

Dealer's Stamp/HETAS Registration Number

10TH SERVICE

Date of Service:.....

Next Service Due:.....

Signed:.....

Dealer's Stamp/HETAS Registration Number

EC Declaration of Conformity



The undersigned, representing the following :

Manufacturer
Stovax Ltd Falcon Road, Sowton Industrial Estate Exeter EX2 7LF

Herewith declare that the products :

Description	Product code	Description	Product code
Stockton 3 m/f	7118	Stockton 7 wood	7120
Stockton 4 wood	7101	Stockton 7 m/f	7163
Stockton 4 m/f	7102	Stockton 8 wood – 1 door	7103 / 7104 / 7105
Stockton 5 wood	7119 / 7160	Stockton 8 wood – 2 door	7113 / 7113LC / 7113HC
Stockton 5 m/f	7127 / 7161	Stockton 8 Slimline	7114
Stockton 6 wood	7100	Stockton 8 m/f	7128
Stockton 6 m/f	7162	Stockton 11 wood – 1 door	7106 / 7106LC / 7106HC
Stockton 6 Highline	7117	Stockton 11 wood – 2 door	7116 / 7116LC / 7116HC

Description of product : Stockton domestic wood and multifuel heating stove product range

Steel fabricated stove body fitted with cast iron door sets, various canopy and firegrate options. Supplied in various sizes to give a range of heat output options.

are in conformity with the provisions of the following EC Directive(s) when installed in accordance with the installation instructions in the product documentation :

98/106/EEC Construction Products Directive

and the standards referenced below have been applied :

EN 13240 : 2001 Roomheaters fired by solid fuel – Requirements and test methods

Provisions to which the product conforms :

Product : Roomheater fired by solid fuel as covered under the scope of the standards listed. Intended use : Space heating in residential buildings.		
Characteristic	Performance	Report
Fire safety	Satisfies	
Emission of combustion products	Stockton 3 (7118) CO @ 13% O ₂ Wood 0.27% - Briquetted fuel 0.20%	2005 PMC / 173
	Stockton 4 (7101 / 7102) CO @ 13% O ₂ Wood 0.27% - Briquetted fuel 0.28%	2005 PMC / 174
	Stockton 5 (7119 / 7160 / 7127 / 7161) CO @ 13% O ₂ Wood 0.22% - Briquetted fuel 0.29%	2005 PMC / 175
	Stockton 6 (7100 / 7162 / 7117) CO @ 13% O ₂ Wood 0.20% - Briquetted fuel 0.48%	2005 PMC / 176
	Stockton 7 (7120 / 7163) CO @ 13% O ₂ Wood 0.20% - Briquetted fuel 0.47%	2005 PMC / 177
	Stockton 8 (7103 / 7104 / 7105 / 7113/ 7113LC / 7113HC / 7128) CO @ 13% O ₂ Wood 0.08% - Briquetted fuel 0.25%	2005 PMC / 179
	Stockton 8sl (7114) CO @ 13% O ₂ Wood 0.25% - Briquetted fuel 0.47%	2005 PMC / 178
	Stockton 11 (7106 / 7106LC / 7106HC / 7116 / 7116LC / 7116HC) CO @ 13% O ₂ Wood 0.07%	2005 PMC / 180
Release of dangerous substance	None	
Surface temperature	Satisfies	
Mechanical resistance (to carry a chimney/flue)	Maximum weight to be supported 25Kg	
Thermal output / Efficiency	Stockton 3 (7118) Wood 3.75Kw @ 77% - Briquetted fuel 3.75Kw @ 86%	2005 PMC / 173
	Stockton 4 (7101 / 7102) Wood 4.00Kw @ 77% - Briquetted fuel 4.00Kw @ 85%	2005 PMC / 174
	Stockton 5 (7119 / 7160 / 7127 / 7161) Wood 5.00Kw @ 80% - Briquetted fuel 5.00Kw @ 85%	2005 PMC / 175
	Stockton 6 (7100 / 7162 / 7117) Wood 6.00Kw @ 79% - Briquetted fuel 6.00Kw @ 80%	2005 PMC / 176
	Stockton 7 (7120 / 7163) Wood 7.00Kw @ 77% - Briquetted fuel 7.00Kw @ 80%	2005 PMC / 177
	Stockton 8 (7103 / 7104 / 7105 / 7113 / 7113LC / 7113HC / 7128) Wood 8.00Kw @ 76% - Briquetted fuel 8.00Kw @ 81%	2005 PMC / 179
	Stockton 8sl (7114) Wood 7.00Kw @ 78% - Briquetted fuel 7.00Kw @ 81%	2005 PMC / 178
	Stockton 11 (7106 / 7106LC / 7106HC / 7116 / 7116LC / 7116HC) Wood 11.00Kw @ 76%	2005 PMC / 180

Test laboratory : 1641

Name : D. J. Saunders

Signature :



STOVAX

Stovax Ltd, Falcon Road, Sowton Industrial Estate, Exeter, Devon, England EX2 7LF

Tel: (01392) 474011 Fax: (01392) 219932 E-mail: info@stovax.com www.stovax.com